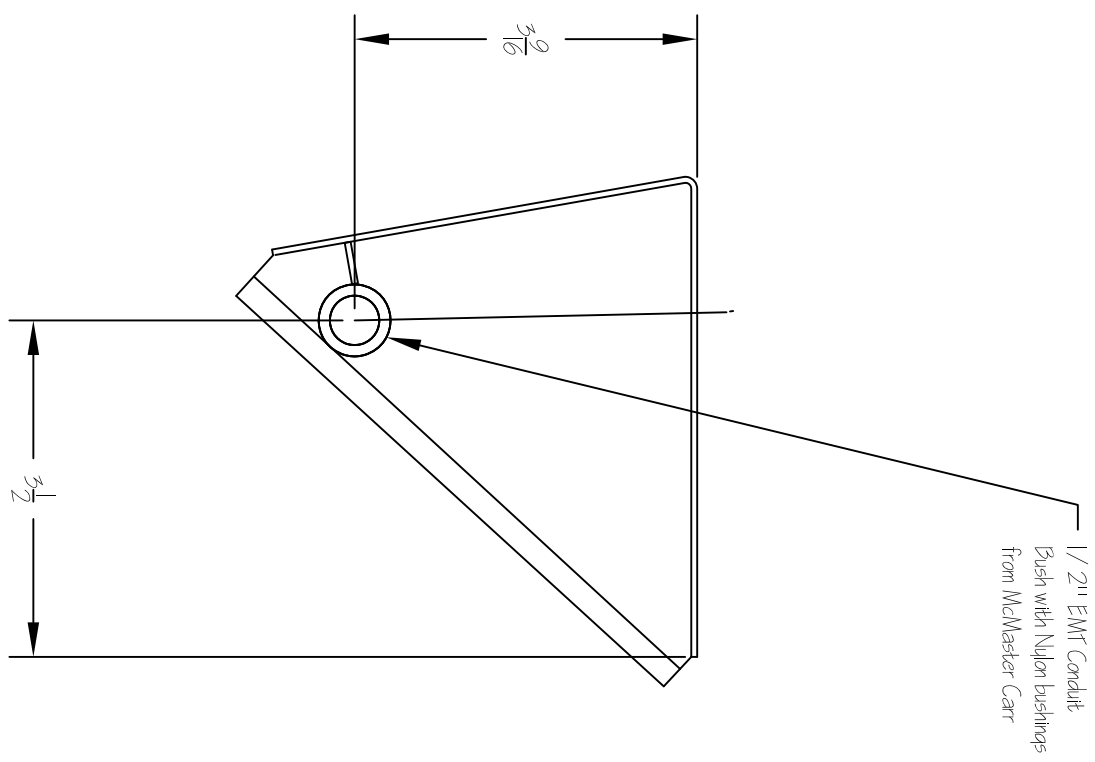
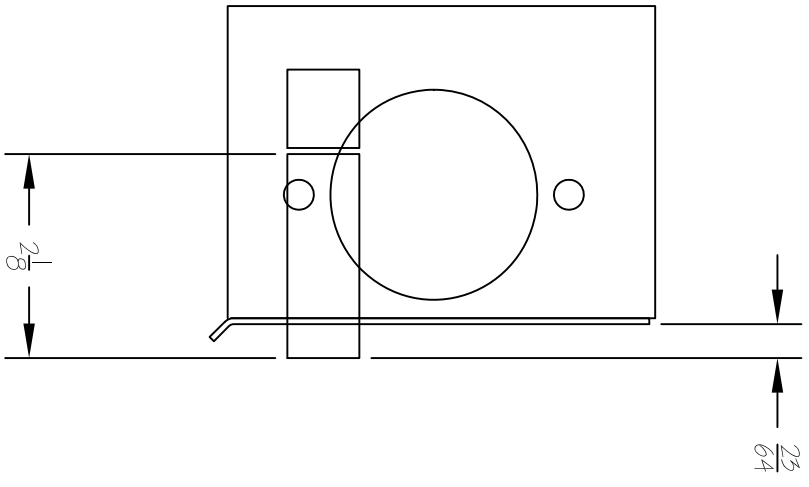
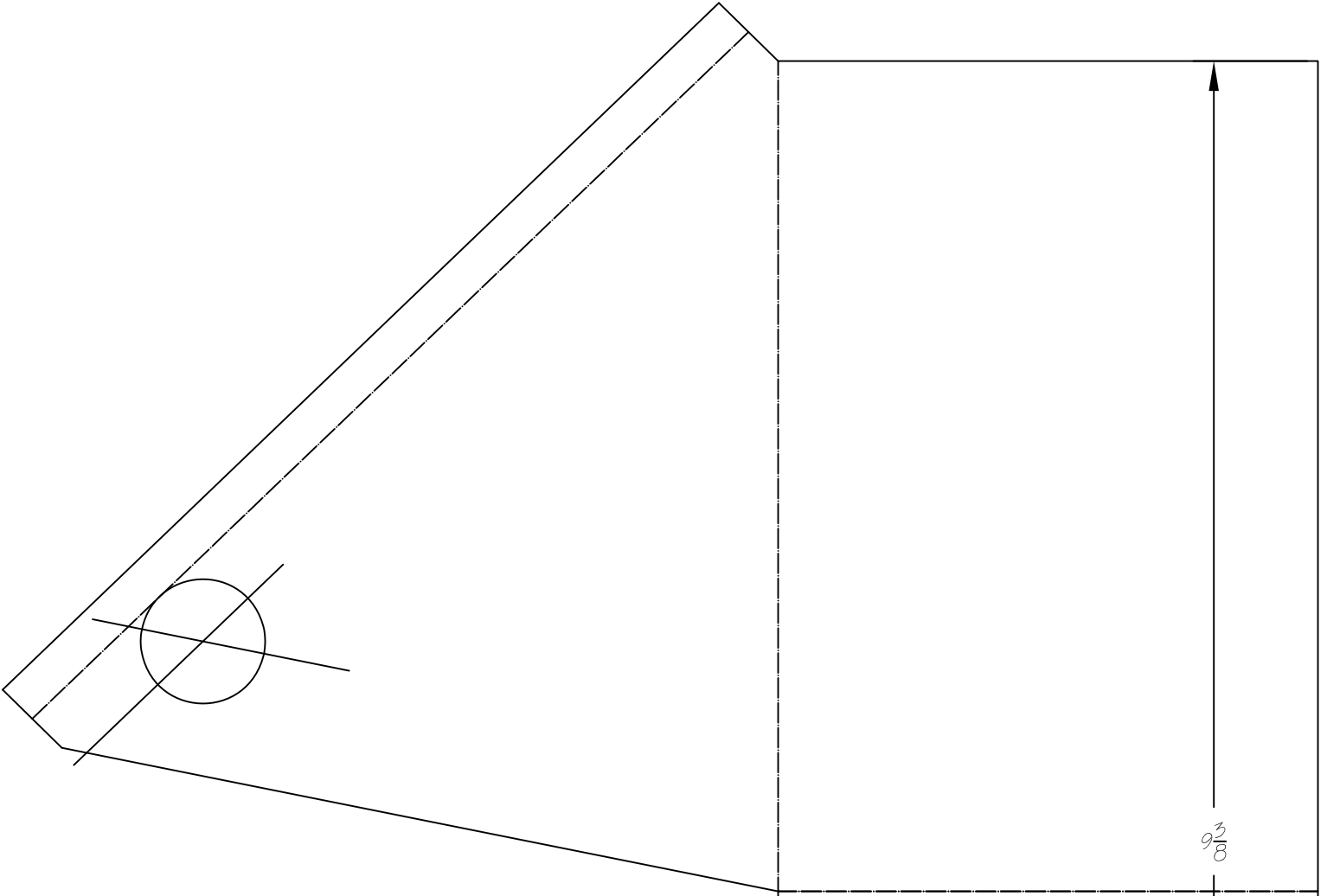


Assembly
Scale: $\frac{1}{2}'' = 1''$





Full Size
Cut from 16ga. CRS

